

INITIAL SETUP

- 1 Position your Tub- Tub on its pallet in the location you intend for it to be used.
- 2 Remove the sections of flue from the underside of the Tub- Tub (as seen in Fig. 1).
- 3 Unscrew the pallet batons that connect the pallet to the Tub-Tub for transport (as seen in Fig. 2 – where applicable).
- 4 Fit a standard 13amp plug and uncoil the wire – ensuring that this is done to the plug manufacturer’s instructions.
- 5 Undertake a quick visual inspection to ensure that the electrical sockets are in place following transport – we recommend plugging your tub in at this point and pressing both the LED light & Bubble buttons (located on the side of the tub) to ensure that they are both working. The LED lights can be seen working from the underside of the tub and you will be able to hear the Bubble System.
- 6 After unplugging the tub following the inspection, gently lie the Tub-Tub down (Fig 3) (you may need assistance for this). Ensure that the surface is flat – see (Fig. 4).
- 7 Carefully slide out the pallet. Carefully unpackage the Tub- Tub. If using a knife, take particular care to not scratch the exterior or fiberglass.
- 8 Remove the 90 degree boiler pipe which is located in the wood burner.
- 9 Be sure to remove all packaging from inside the wood burner.
- 10 Attach the 90 degree chimney section to the outlet located by the wood burner – this is manufactured to low tolerance so occasionally lubrication is required.



Fig 1.

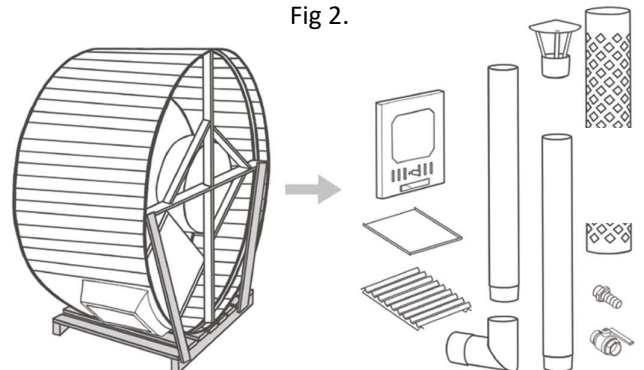


Fig 2.

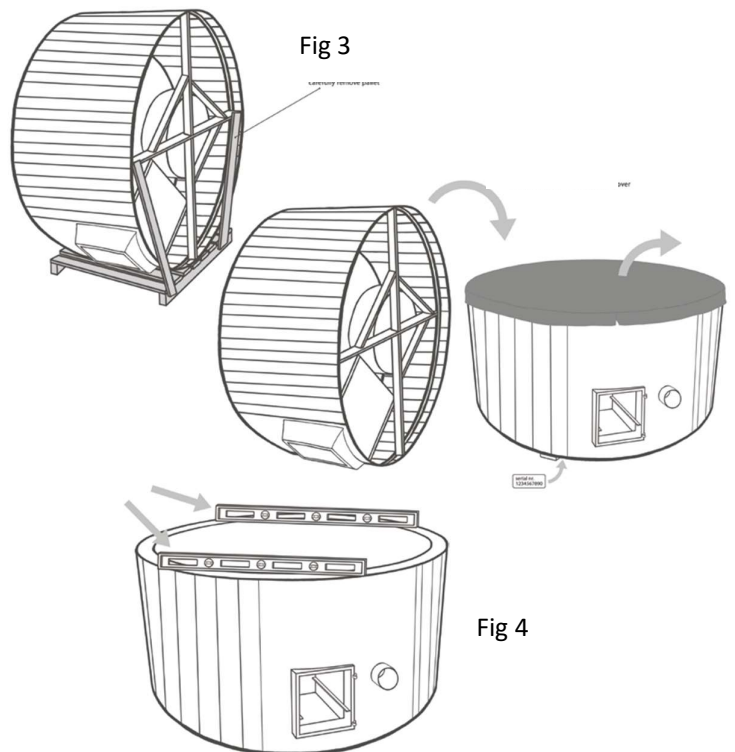


Fig 3

Fig 4

- 11 Tighten the two retaining bolts underneath the 90 degree flue section and ensure it is in a vertical position (see Fig. 5)
- 12 Place the grate & ash collecting tray in the boiler (see Fig. 5).
- 13 Open the drainage tap (located at the bottom of the boiler).
- 14 Thoroughly rinse the Tub- Tub to ensure that any fiberglass residue is removed.
- 15 Close the tap completely prior to filling.
- 16 Fill your Tub-Tub to a maximum of 15cm from the top – if you are adding any chemicals or chlorine ensure this is done throughout the filling process.
- 17 Your Tub-Tub comes with a drinks holder – this is simply screwed anywhere around the tub (except where the boiler is located).
- 18 Position the steps where access is unimpeded.
- 19 Your Tub-Tub is now ready for lighting – replace the lid to decrease heat up times!
- 20 Plug your Eco Tub back in to allow power supply to the LED lights & Bubble System!

Fig. 5

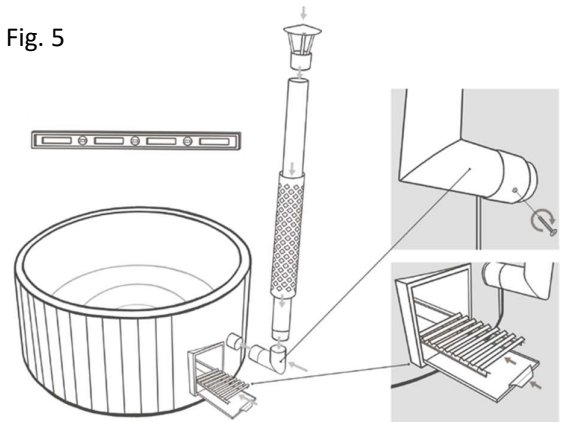
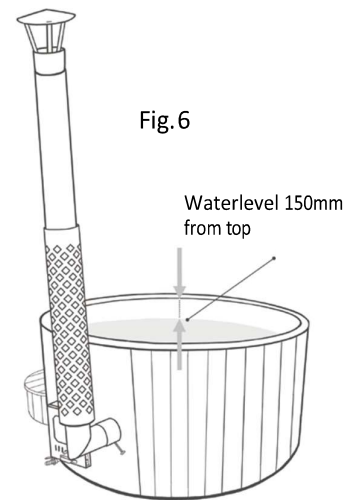


Fig. 6



2 PERSON TUB WITH EXTERNAL HEATER

1. Ensure both external heater and tub are both equally level.
2. It is important that the upper 'hot' hose continues at an upward angle into the tub.
3. Fit external heaters hoses using the jubilee clips provided.
4. The hoses need to be straight (not kinked) for better water circulation.

USER MANUAL

Our Tub-Tubs have been designed to be as simple as possible. However, for safety reasons we ask that you take the time to read this short manual prior to use of your new tub.

Thank you again for purchasing with us. Please don't forget to write us a review!

IMPORTANT SAFETY INSTRUCTIONS

- 1 The stove door will be very hot during use – do not touch it.
- 2 The flue and flue elbow will also be very hot – ensure supervision of children and use the flue-guard at all times.
- 3 Never burn coal in the stove – use dry or kiln-dried logs. Sub 20% moisture is ideal! The use of coal or smokeless fuels will void the warranty of your tub.
- 4 You should NOT use a hot tub if you are pregnant, very young, under the influence of alcohol, drugs or any medical conditions – please consult your doctor.
- 5 Keep the lid on when not in use & move steps to minimize the risk of children or animals falling in.
- 6 Do NOT ignite the stove until the water level is above both water inlets (around 2/3 way up the tub). Doing so could melt the fiberglass or other components and will void your warranty.
- 7 During freezing conditions, it is recommended to drain your Tub when not in use due to the risk of expanding ice causing damage.
- 8 For your own safety, bathing alone isn't recommended.
- 9 If temperatures get too hot you can add some cold water into your tub – IF YOU FIND YOUR TUB IS TOO HOT – GET OUT.
- 10 It is recommended to only use a hot tub for short periods initially. If you become dizzy you should get out immediately.
- 11 Do not empty the water until the fire – and heat – are completely out. This will damage your fiberglass tub. Doing so will void your warranty.

POSITIONING YOUR TUB-TUB

Do not place your Tub-Tub near anything flammable!

A hot tub is usually around 200kgs, and significantly heavier when filled. Your first consideration is going to be on the ground you set up on. Preferable a solid base or concrete pad is recommended. It should also be noted that due to this heavy weight you shouldn't under any circumstance attempt to move the hot tub by yourself. In most cases a level stable base either gravel or paving slabs is fine but please note the tub will weigh around 2000kg once full of water and people. Strong well-built surfaces such as decking are also suitable.

Aside from the ground itself or pad, you will want to ensure your site has easy access to water to make filling the hot tub less of a chore. You will also want to avoid areas that create a downdraft.

If you place your Tub-Tub too close to buildings, or trees this will cause some interference with the chimney.

NOTE: If you continue to burn in the stove; you are going to continue to heat up your water. While this seems straightforward it does carry a risk at severely burning occupants, as well as damaging the equipment. Assess whether the tub is getting too hot for your liking and stop adding wood to the stove once it has. The boiler/firebox will also have an air circulation control on the door which would then need to be shut. Your target temperature should not exceed 42C degrees.

MAINTENANCE

Wood fired Hot Tubs don't require as much maintenance as electrical ones. Clearing ash from the stove before each use is necessary; as well you should periodically disconnect the chimney (It is modular) and clean any built up soot. Soot should also be removed from the stove if it builds up. If this isn't something that you're comfortable with you can always contact a stove specialist if necessary. Ideally you should change the water in your hot tub after every use; however, you can use it several times across a couple of days, this is more to personal taste. The use of a non-chlorine sanitizer will assist with this. Any Sanitizers used should be non-chlorine based as prolonged use of chlorine may affect the tub components

The tub's exterior is already treated with oils to protect it from UV damage; waterproofing and resist fading. We recommend to apply some wood treatment at least once a year. However, over the life of your tub it will begin to silver; you can continue to maintain it with oils to keep up the appearance, but you should not use a pressure washer from too close as it can damage the wood. If you don't re oil the wood, it will simply age naturally. Your Tub can, of course, be painted or stained to update its appearance – much in the way you would your garden fences! Good maintenance of your tub will help its lifespan.

GENERAL INFORMATION ON HOW TO USE HOT TUBS

HOT TUB HEATING

IMPORTANT – the fiberglass hot tub heaters heating temperature can't go higher than +55C° as higher temperatures can damage the fiberglass gel coating (Will start blistering). Once the hot tub is fired up, you can turn the bubbles on periodically to help the heat circulate evenly within the water.

When the hot tub is filled up with water (15cm from the top of the hot tub edge), you can fire up the heater.

The best way to fire up the hot tub is start with kindling and paper (fire lighters can be used). When the flame is getting bigger you can add bigger pieces of wood. It is recommended to use kiln dry wood with less than 20% moisture. Fire intensity can be adjusted with the vent located on the boiler/firebox which regulates the air intake into the burning chamber.

IMPORTANT – do not load more than 2 thirds of wood of the height of the heater. IMPORTANT – if the hot tub is not filled up to the right level, you can't light the heater, because the emitted heat will damage the tub and the heater.

IMPORTANT – water from the hot tub can be drained only when the heater is completely cooled down. Otherwise, the heat will damage the hot tub and the heater itself.

IMPORTANT – DO NOT allow the tub to overflow. This can lead to problems with the Bubble System. Allowing your tub to overflow will void your warranty.

IMPORTANT – DO NOT tighten the Air Bubble Valve Caps. This can lead to back pressure within the air pump which can cause overheating.

NOTE – You may see some dripping coming from under the firebox/boiler onto the ground. This is just the Condensate valve and is removing moisture from the boiler. The water dripping is minimal but does appear more on some surfaces. This is entirely normal & essential

– Your tub isn't leaking, don't panic.

