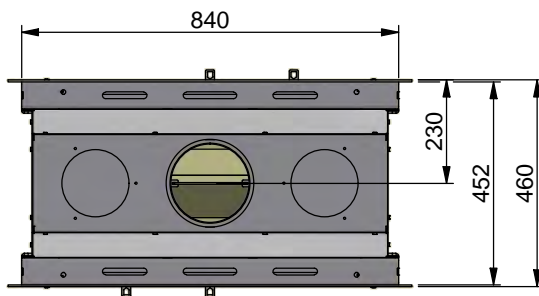
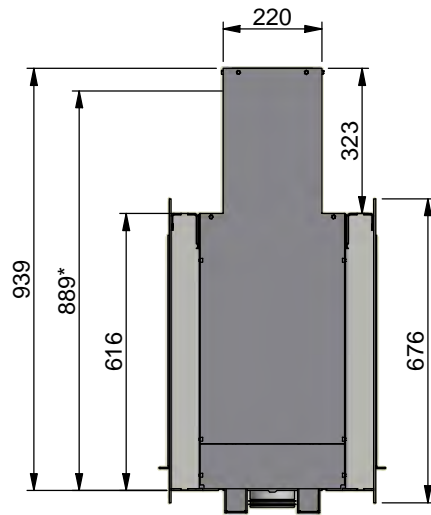
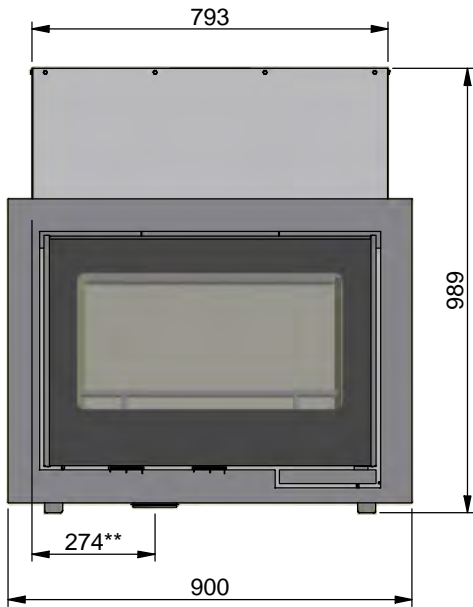


## Dimension sketch for Scan DSA 12



\* Height to the beginning of the flue pipe at top outlet

\*\* Centre for inlet of external combustion air bottom