

Installation Instructions

For use in GB and IE only



Ci4

Contura

A warm welcome to Contura.

A warm welcome to the Contura family. We hope you will get a great deal of pleasure from your new stove. As a new owner of a Contura stove you have secured a product with timeless design and long service life. Contura also has combustion that is both environmentally friendly and efficient for the best heat production.

Read through these installation instructions carefully before installation. Read how to best light your stove in the lighting instructions.

Table of contents

Technical data	105
Dimensions	106
Recessing the insert	107
Recess example	108
Installation in Builders opening	109
Supply of combustion air	109
Prior to installation	110
Installing and connecting the convection box	111
Smoke control area	114
Installing stove body into the convection box	115
Installing fire box insulation panels	117

NOTE!

Report the installation of a stove to your local authority.

The owner of the house is personally responsible for ensuring compliance with the mandatory safety requirements and must have the installation approved by a qualified inspector. Your local chimney sweep must also be informed about the installation as this will affect the routines for regular chimney-sweeping services.

WARNING!

The stove becomes very hot.

During operation, certain surfaces of the stove become very hot and can cause burn injury if touched. Be aware of the strong heat radiated through the hatch glass. Placing flammable material closer than the safe distance indicated may cause a fire. Smouldering can cause quick gas ignition with the risk of damage to property and personal injury.

Declaration of performance according to Regulation (EU) 305/2011

No. Ci4-CPR-220901

Contura

PRODUCT

Type Wood burning insert
Trade name Contura i4
Intended area of use Heating of rooms in residential buildings
Fuel Wood

MANUFACTURER

Name NIBE AB / Contura
Address Box 134, Skulptörvägen 10
SE-285 23 Markaryd, Sweden

VERIFICATION

According to AVCP System 3
European standard EN 13229:2001/A2:2004/AC:2007
Test institute Rein-Ruhr Feuerstätten Prüfstelle, NB 1625.

DECLARED PERFORMANCE

ESSENTIAL CHARACTERISTICS	PERFORMANCE	HARMONISED TECHNICAL SPECIFICATION
Fire safety	Pass	EN 13229:2001/A2:2004/AC:2007
Fire classification	A1	
Minimum distance to flammable materials	Rear: 150 mm (With heat shield) Side: 150 mm (With heat shield) Ceiling: 800 mm Front: 1000 mm Floor: 300 mm Corner: 150 mm	
Fire hazard due to burning fuel falling out	Pass	
Cleanability	Pass	
Emissions from combustion	CO: 1500 mg/ m ³ NOx: 200 mg/ m ³ OGC: 120 mg/ m ³ PM: 40 mg/ m ³	
Surface temperatures	Pass	
Temperature on the handle	NPD	
Mechanical resistance	Pass	
Temperature in the space for wood storage	NPD	
Nominal output	4,0 kW	
Efficiency	78,2%	
Flue gas temperature at nominal output	259°C	
Flue gas temperature in flue spigot	307°C	

The undersigned is responsible for the manufacture and conformity with the declared performance.



Niklas Gunnarsson, Business area manager NIBE STOVES
Markaryd, 1st September 2022

**UK
CA**

EU Declaration of Conformity

Manufacturer	NIBE AB / Contura
Address	Box 134, Skulptörvägen 10 285 23 Markaryd, Sweden
E-Mail	info@contura.se
Website	www.contura.eu
Telephone	+46 433 275100

Contura

THIS DECLARATION OF CONFORMITY IS ISSUED UNDER OUR SOLE RESPONSIBILITY FOR THE FOLLOWING PRODUCT:							
Trade name				Contura i4			
Identification of product				www.contura.eu			
THE OBJECT OF THE DECLARATION DESCRIBED ABOVE IS IN CONFORMITY WITH -							
THE RELEVANT UNION HARMONIZATION LEGISLATION:				THE RELEVANT HARMONIZED STANDARDS:			
DIR 2009/125/EC				EN 13229:2001/A2:2004/AC:2007			
REG (EU) 2015/1185				CEN/TS 15883:2010			
REG (EU) 2015/1186							
REG (EU) 2017/1369							
REG (EU) 305/2011							
TECHNICAL DOCUMENTATION							
Indirect heating functionality:				No			
Direct heat output:				4,0 kW			
Energy Efficiency Index (EEI):				103,4			
Test report				RRF 29 15 4067, NB 1625			
FUEL	PREFERRED FUEL	OTHER SUITABLE FUEL	η_s (%)	EMISSIONS AT NOMINAL HEAT OUTPUT			
				PM	OGC	CO	NO _x
mg/ Nm ³ (13% O ₂)							
Wood logs with moisture content 25%	Yes	No	68,2	40	120	1500	200
Compressed wood with moisture content <12%	No	Yes	68,2	40	120	1500	200
Other woody biomass	No	No					
Non-wood biomass	No	No					
Anthracite and dry steam coal	No	No					
Hard coke	No	No					
Low temperature coke	No	No					
Bituminous coal	No	No					
Lignite briquettes	No	No					
Peat briquettes	No	No					
Blended fossil fuel briquettes	No	No					
Other fossil fuel	No	No					
Blended biomass and fossil fuel briquettes	No	No					
Other blend of biomass and solid fuel	No	No					
CHARACTERISTICS WHEN OPERATING WITH THE PREFERRED FUEL							
ITEM	SYMBOL	VALUE	UNIT	ITEM	SYMBOL	VALUE	UNIT
HEAT OUTPUT				USEFUL EFFICIENCY, BASED ON NET CALORIFIC VALUE (NCV)			
Nominal heat output:	P _{nom}	4,0	kW	Useful efficiency at nominal heat output	$\eta_{th, nom}$	78,2	%
AUXILIARY ELECTRICITY CONSUMPTION				TYPE OF HEAT OUTPUT/ROOM TEMPERATURE CONTROL			
At nominal heat output	e _{l, max}	-	kW	Single stage heat output, no room temperature control			Yes
At minimum heat output	e _{l, min}	-	kW	Two or more manual stages, no room temperature control			No
In standby mode	e _{l, SB}	-	kW	With mechanic thermostat room temperature control			No
				With electronic room temperature control			No
				With electronic room temperature control plus day timer			No
				With electronic room temperature control plus week timer			No
				OTHER CONTROL OPTIONS			
				Room temperature control, with presence detection			No
				Room temperature control, with open window detection			No
				With distance control option			
Specific precautions for assembly, installation, or maintenance.		Fire protection and safety distances to combustible building materials must be observed under all circumstances. A sufficient supply of combustion air must always be guaranteed. Air suction systems can interfere with the combustion air supply.					

The undersigned is responsible for the manufacture and conformity with the declared performance.



Niklas Gunnarsson, Business area manager NIBE STOVES
Markaryd, January 1, 2022

Technical data

Nominal output	4 kW
Efficiency level	Up to 78%
Flue gas mass flow	5,0 g/s

Classic

Weight (kg)	77
Width (mm)	490
Depth (mm)	420
Height (mm)	600

Modern-3-sided frame

Weight (kg)	71
Width (mm)	490
Depth (mm)	380
Height (mm)	590

Modern-4-sided frame

Weight (kg)	72
Width (mm)	490
Depth (mm)	380
Height (mm)	635

The connector's inner diameter is $\varnothing 126$ mm
 Type approved in accordance with:
 European standard EN-13 229
 (DE/A) DINplus, Art. 15a B-VG
 RRF-29 11 2751

DEFRA exempted

The stove can be used in Smoke Control Areas.

General

In this manual you will find instructions about how your Contura i4 shall be installed. Before you start the installation it is important that you read this instruction carefully and fully understand the requirements. All European, national and local standards and regulations needs to be fulfilled when the appliance are installed.

To guarantee the function and safety of the stove we recommend that it is installed by a professional. Our Contura agents can recommend a suitable installer.

The room or space containing a stove shall have a permanent air supply sufficient to ensure proper combustion, to determine correct amount of air supply use current edition of Building Regulations.

Remember to use only for the appliance recommended fuel as wood logs or smokeless fuel as anthracite or manufactured smokeless fuel briquettes. Do not ever burn bituminous coal, "petro-coke" or other petroleum based fuels!

Building application

Before installing a stove or erecting a chimney it is necessary for you to apply for planning permission from your local authority. Ask your local authority for advice regarding building regulations and the application.

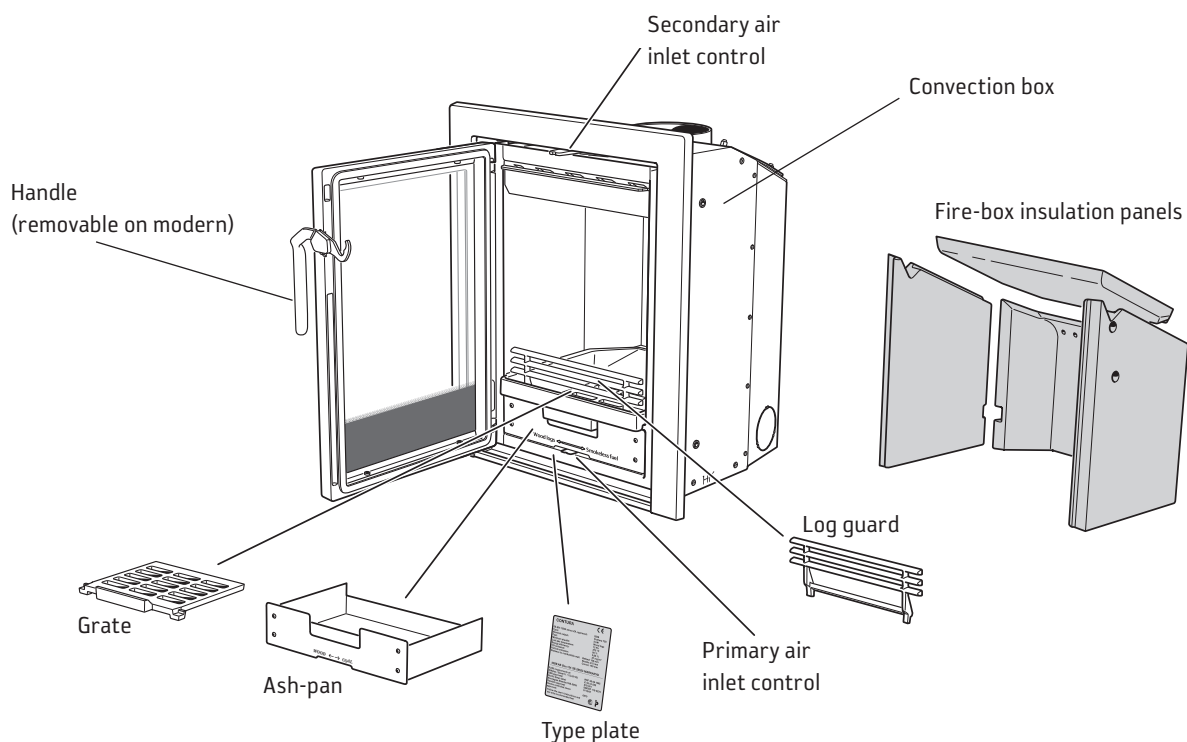
Chimney

Note! The stove installation and connection to a chimney must be accomplished with the current edition of Building Regulations. We recommend that you consult a local chimney sweep before the installation to make sure that the chimney is in good condition.

The stove is type approved and must be connected to a chimney dimensioned for at least 350°C. The connector on the appliance is suitable for pipes with diameter of 125 mm.

A flexible flue liner or steel flue certified for use with solid fuel is highly recommended. The stove requires a chimney draft that creates a negative pressure of 20–25 Pa in the firebox. The draught is affected both by the length and area of the chimney, and by how well sealed it is. The recommended minimum flue length is 3.5 m and its diameter should be $\varnothing 125$ to $\varnothing 150$ mm. Carefully check that the chimney is sealed and that there is no leakage around soot hatches and flue connections.

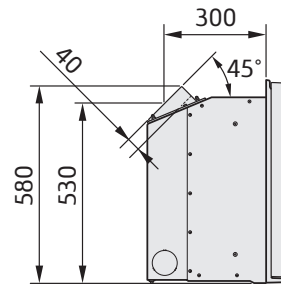
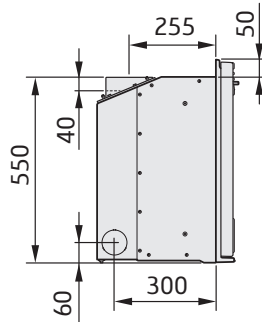
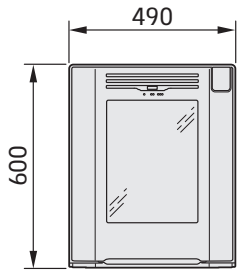
Note that a flue with sharp bends and horizontal routing reduces the draught in the chimney. Maximum horizontal flue is 1 m, on the condition that the vertical flue length is at least 5 m. It must be possible to sweep the full length of the flue and the soot hatches must be easily accessible.



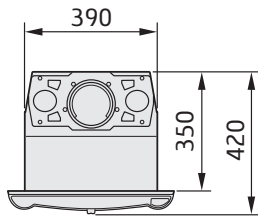
Dimensions

Ci4

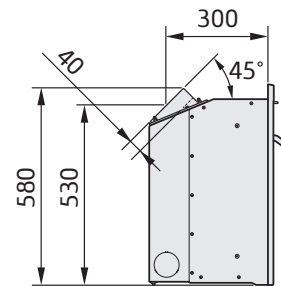
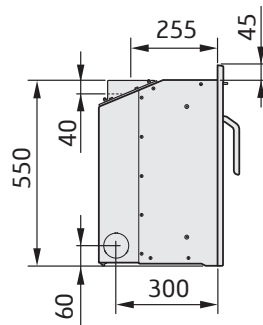
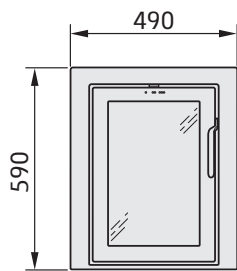
Ci4 Classic



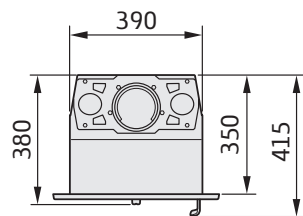
Flue outlet 45° backwards



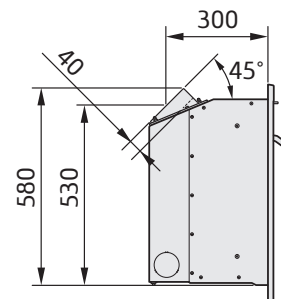
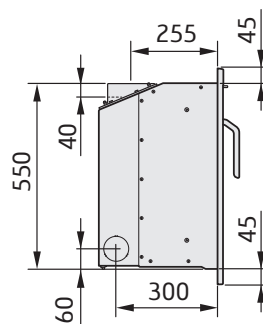
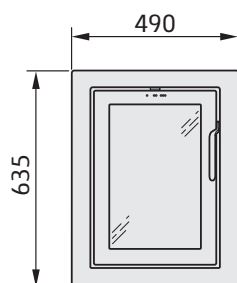
Ci4 Modern 3 - sided frame



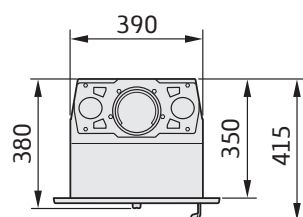
Flue outlet 45° backwards



Ci4 Modern 4 - sided frame



Flue outlet 45° backwards



Recessing the insert

When recessing the insert, adjacent walls that are not classed as fire walls or are considered unsuitable for heat loads must be protected by non-combustible material according to the specification below.

All joints on the non-combustible material must be sealed using the manufacturer's recommended method. The area between the insert and the recess must be ventilated according to the specification/dimension.

When top connecting a steel flue please refer to the relevant manufacturer's installation instructions. Observe the safety distances to combustible material that steel flues require. Heat radiation from the hatch is strong and is why combustible material must not be placed closer than 1 m in front of the hatch. When recessing, building material must not be in direct contact with the insert due to the thermal expansion of the insert.

Material requirements

The building material must not be combustible.

The thermal conductivity coefficient λ may be a maximum of 0.14 W/mK.

The thickness of the building material must always be at least 100 mm.

In cases where the building material's insulation properties are given as a U-Value, this must be a maximum of 1.4 W/ m²K.

List of suitable materials:

Aerated concrete: $\lambda = 0.12-0.14$

Vermiculite: $\lambda = 0.12-0.14$

Calcium silicate: $\lambda = 0,09$

Heat shield

If the recess is to extend to the ceiling, a heat shield must be made above the convection exhaust. This is to prevent hot air collecting in the recess closest to the ceiling. The seal must a maximum of 100 mm above the convection exhaust's upper edge and must be made up of 20 mm thick building boards made of calcium silicate or a panel with at least a 50 mm thickness of rock wool on top.

Convection air

The convection air ventilates the surround, cools the insert and transports the hot air out into the room. The total sum of the effective cross section area up and down must not be less than the stated values. The air intake must be positioned somewhere between the floor and the bottom of the insert, up to or on the sides of the recess. The vent must be positioned above the insert's highest point up to or to the sides of the recess.

Observe the minimum distance up to the ceiling.

Convection air in: 200 cm²

Convection air out: 200 cm²

Note that building regulations apply regarding the area below and in front of the insert, see section "Hearth plate" below.

Load bearing base

Ensure that the bottom of the convection box is installed on a loadbearing with the strength to support the weight of the insert and the chimney. The insert can be loaded maximum 100 kg of chimney. The load bearing must not prevent the convection air ventilate the area between the insert and recess.


Hearth plate

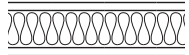
Due to the risk of falling embers, a flammable floor must be protected by a hearth plate. It must extend 300 mm in front of the stove and 100 mm on each side of the stove, or have a 200 mm extension on each side of the opening. The hearth plate can consist of natural stone, concrete, metal plate or glass, consult the Building regulations.

Recess example

Ci4

Ci4 Classic and Modern

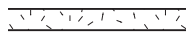
 **The dimensions are the minimum dimensions, unless otherwise stated.**



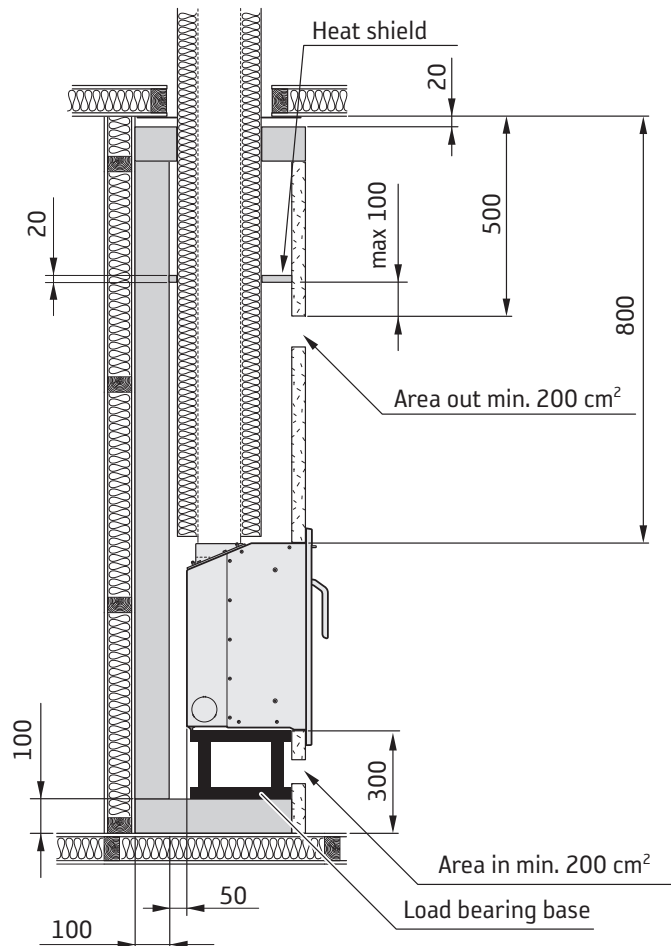
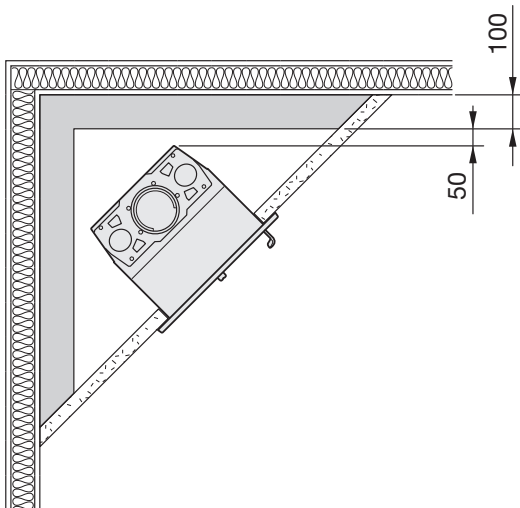
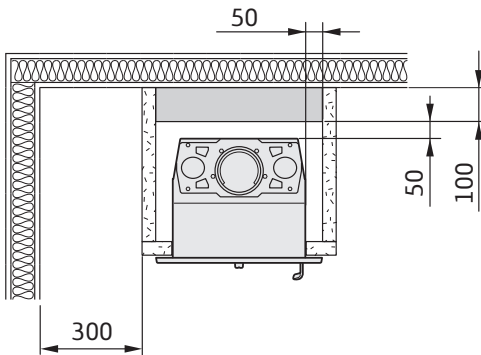
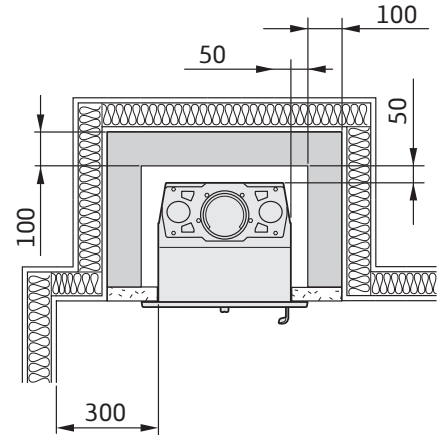
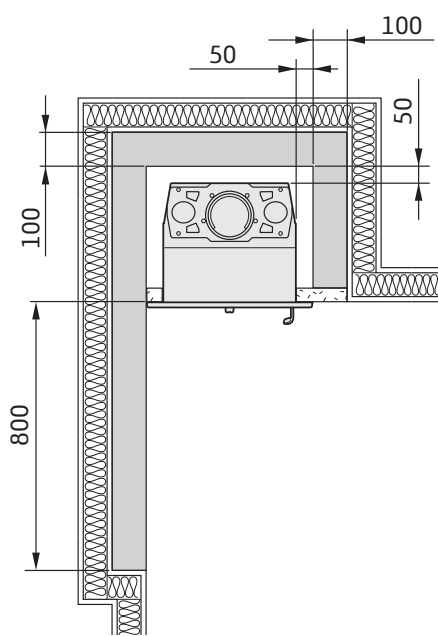
Wall of combustible material



Wall of non-combustible material, made of 100 mm aerated concrete in the recess example.



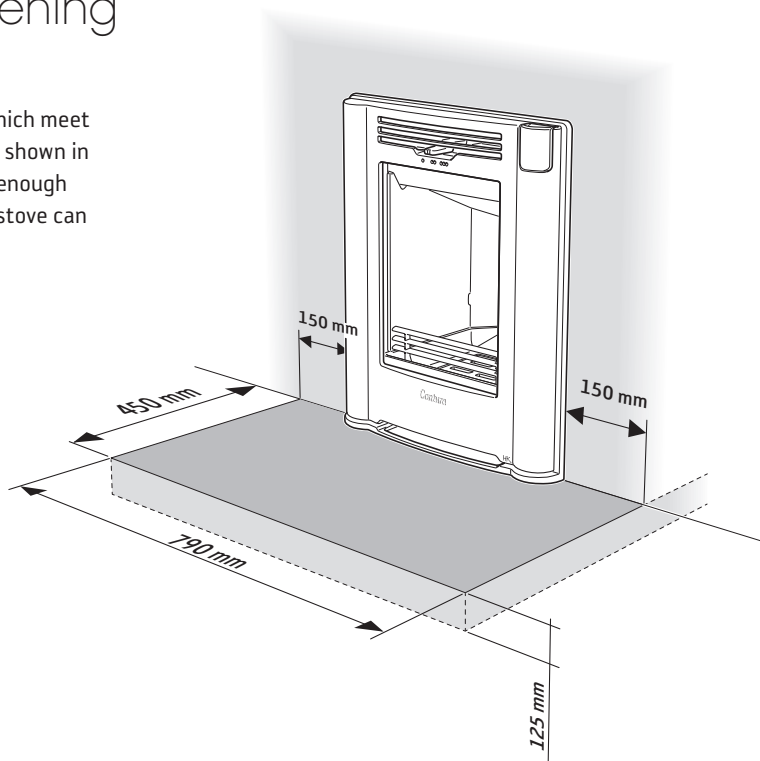
Wall of non-combustible material that is not in contact with combustible material and therefore has no minimum thickness requirement.



Installation in Builders opening

Hearth dimensions

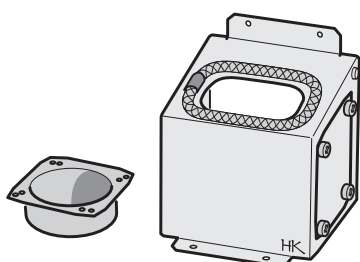
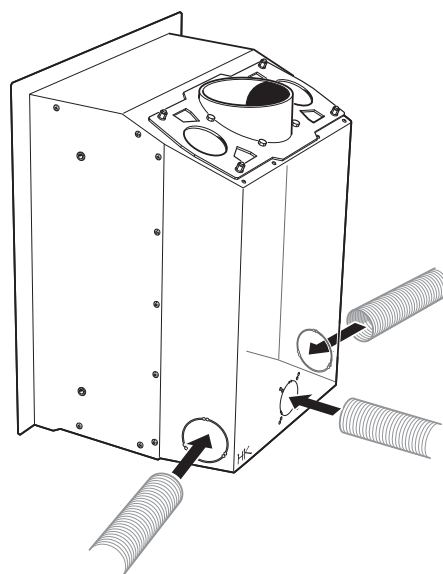
The appliance must stand on a constructional hearth which meet the building regulations and has minimum dimension as shown in the diagram beside. Always check that the building has enough bearing capacity for the heart, stove and chimney. The stove can be loaded with maximum 100 kg of chimney.



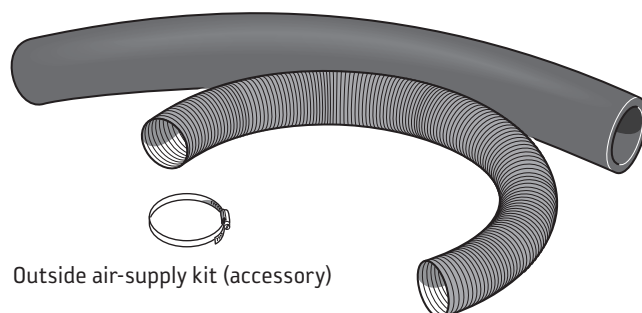
Supply of combustion air

When a stove is installed in a room, the demand for air supply to the room increases. Air can be provided indirectly via a vent in the outer wall or via a duct from the outside that is connected to the stove. The amount of air needed for combustion is approximately 20m³/h.

If the insert will be used with supply air connector (accessory) and outside air-supply kit (accessory) then prepare the convection box by open the lid where the air supply hose will enter, from side or back. Make the supply air connector installation as the flue pipe is connected to the convection box.



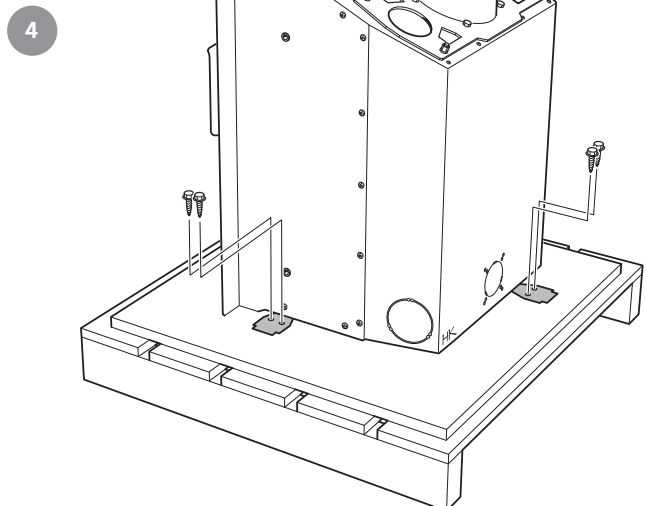
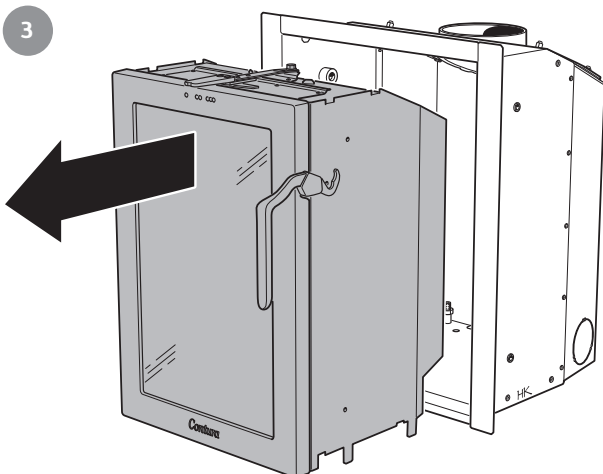
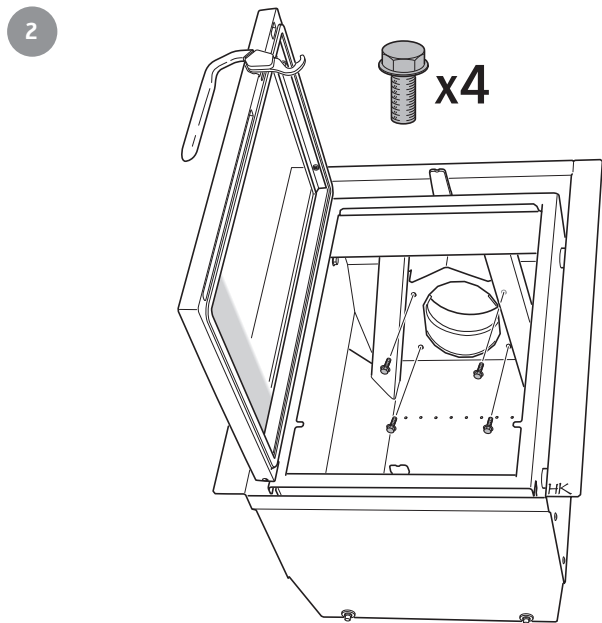
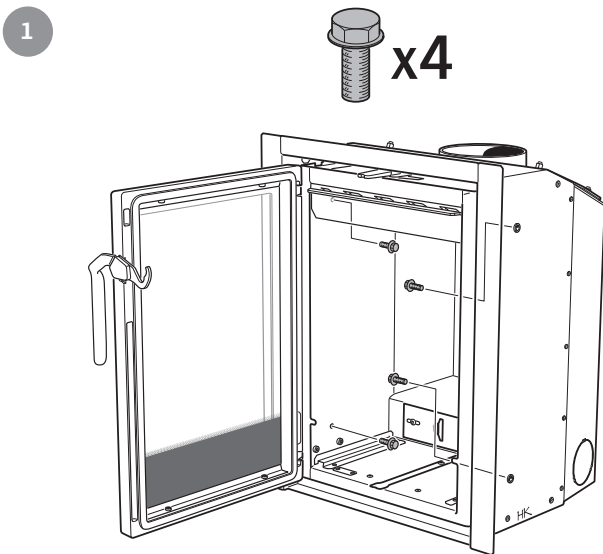
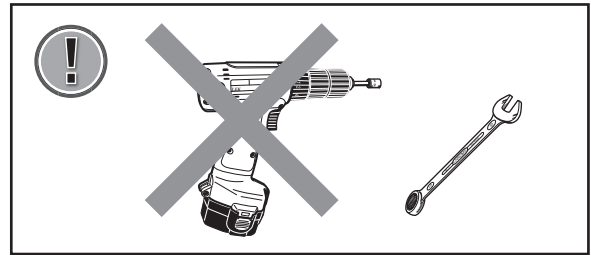
Supply air connector (accessory)



Outside air-supply kit (accessory)

Prior to installation

Remove loose components as stove base plate and ash tray. Take out the stove body from the convection box by first unscrew the four side bolts and the four bolts for the collar. At last release the convection box from the pallet.

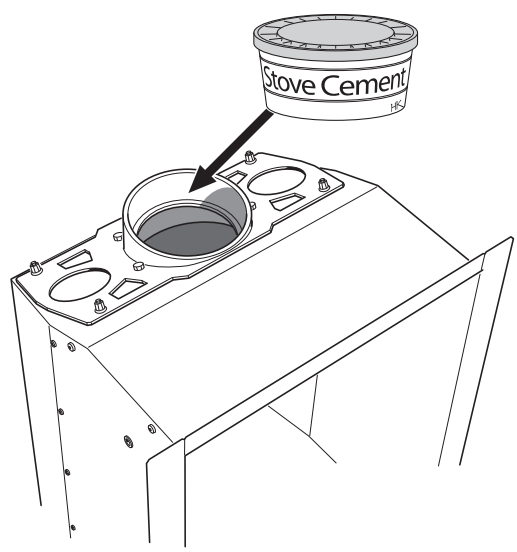


Installing and connecting the convection box

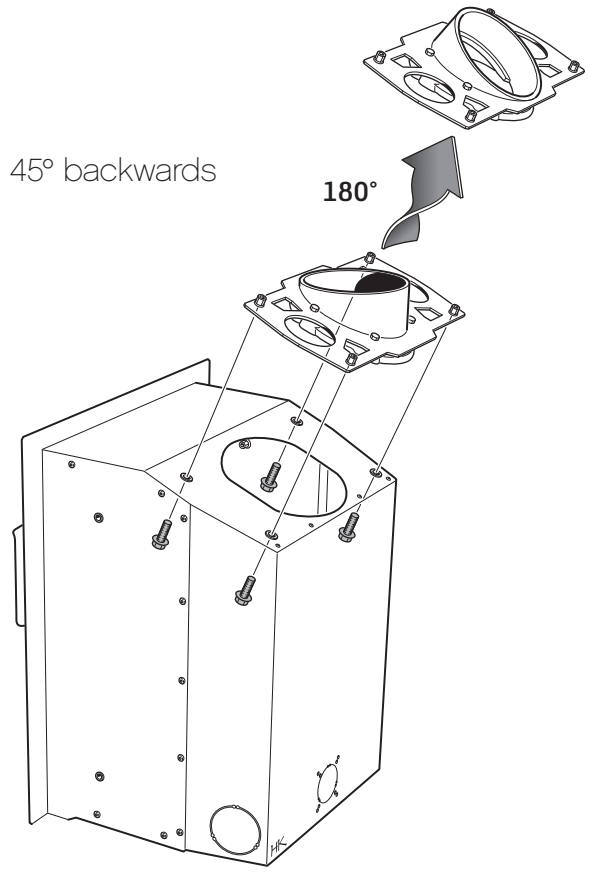
Flue collar 90° straight upwards or 45° backwards

If the builders opening is too tight above when the flue collar adapter plate is turned for installation 45° backwards, then remove and fasten the flue collar adapter on the flue. Install the convection box and finally fasten the flue adapter on the convection box, see "Flue collar 45° backwards and tight builders opening" on side 113.

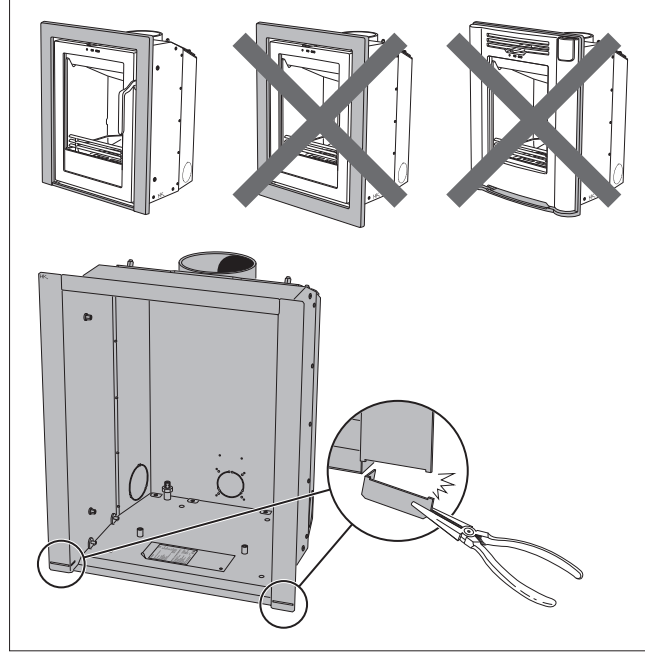
1a Straight upwards



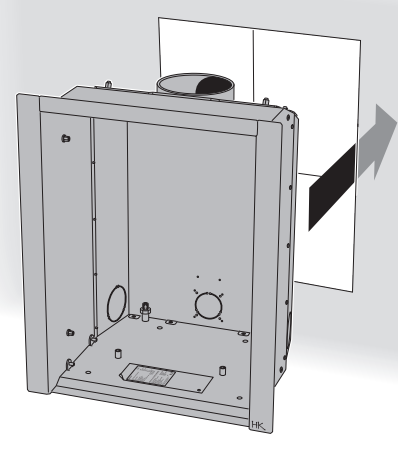
1b 45° backwards

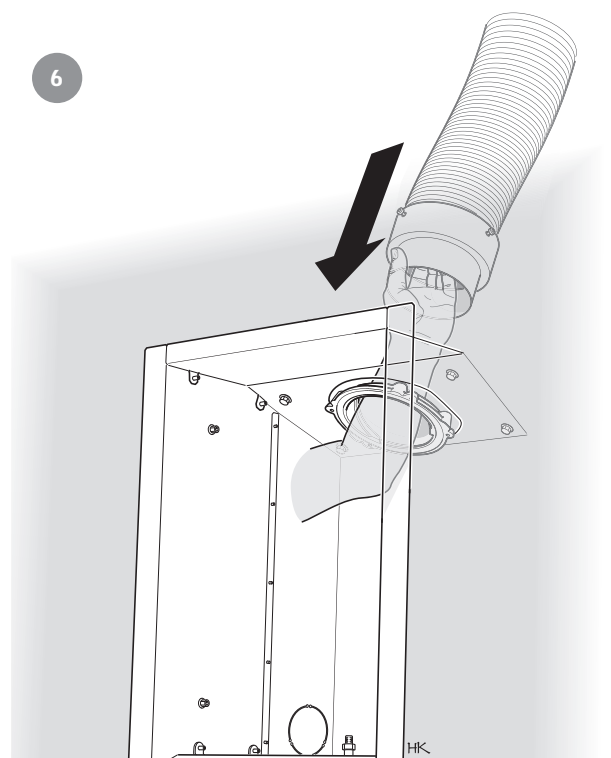
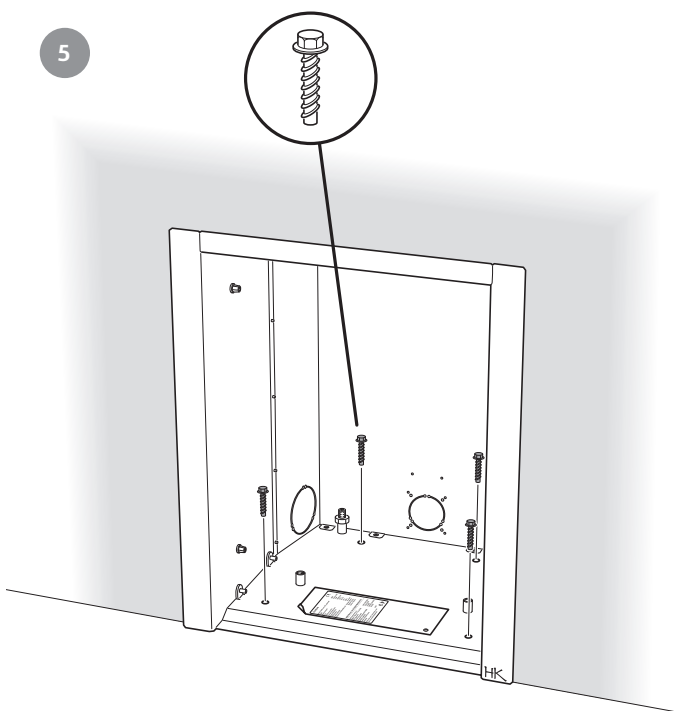
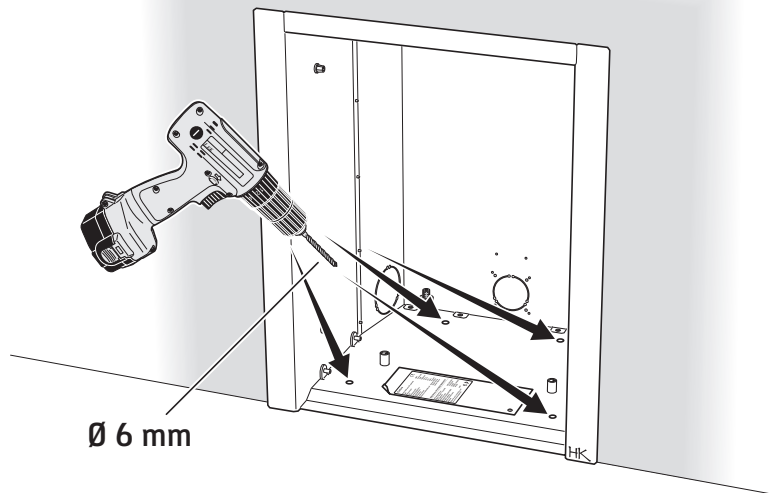
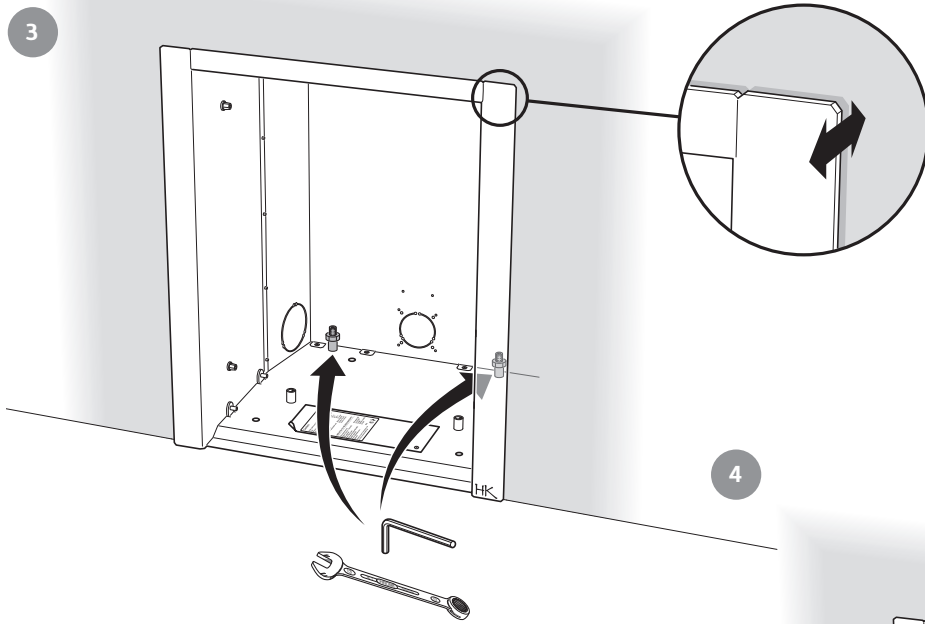


2a

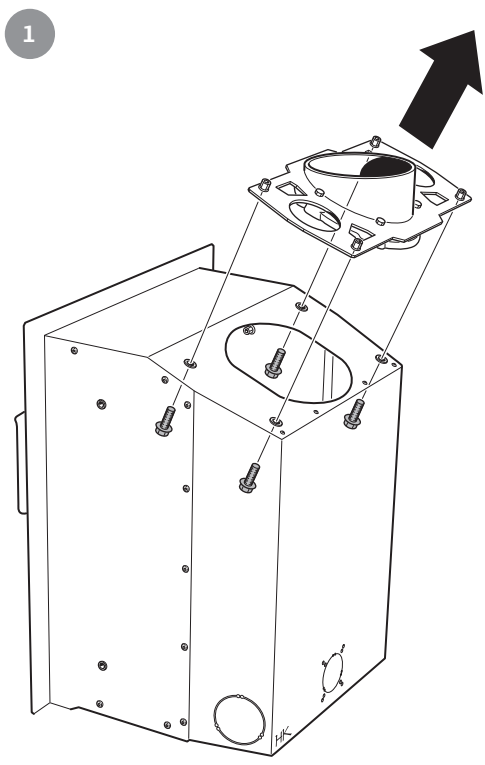


2b

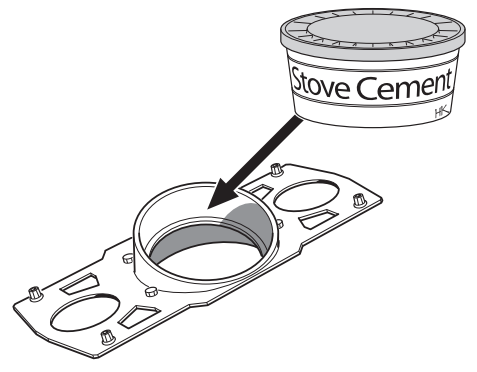




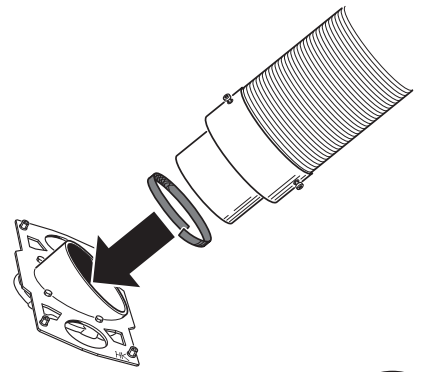
Flue collar 45° backwards and tight builders opening



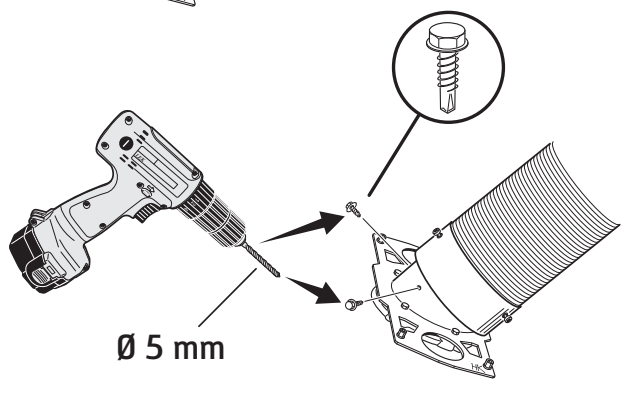
2



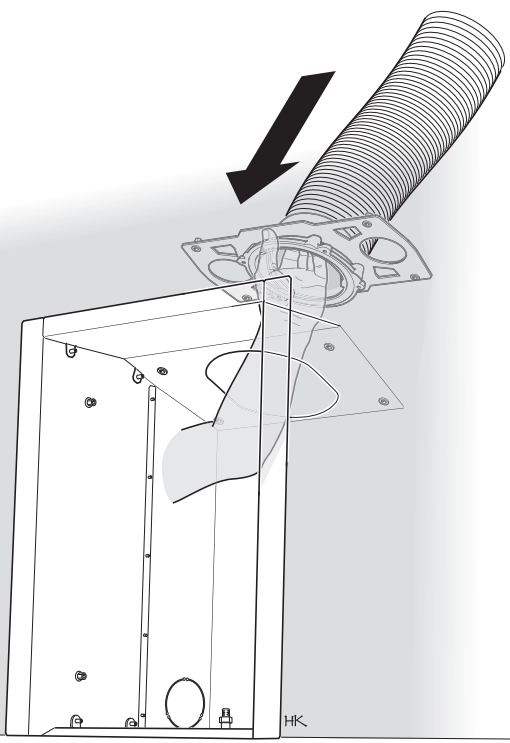
3



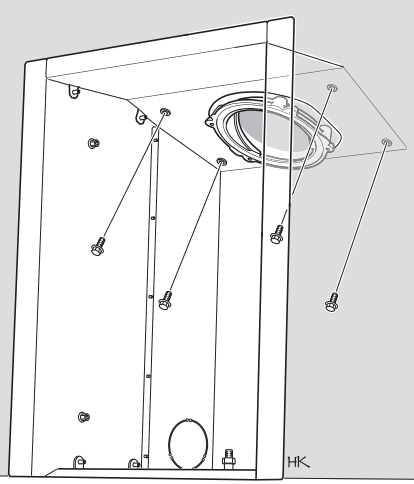
4



5

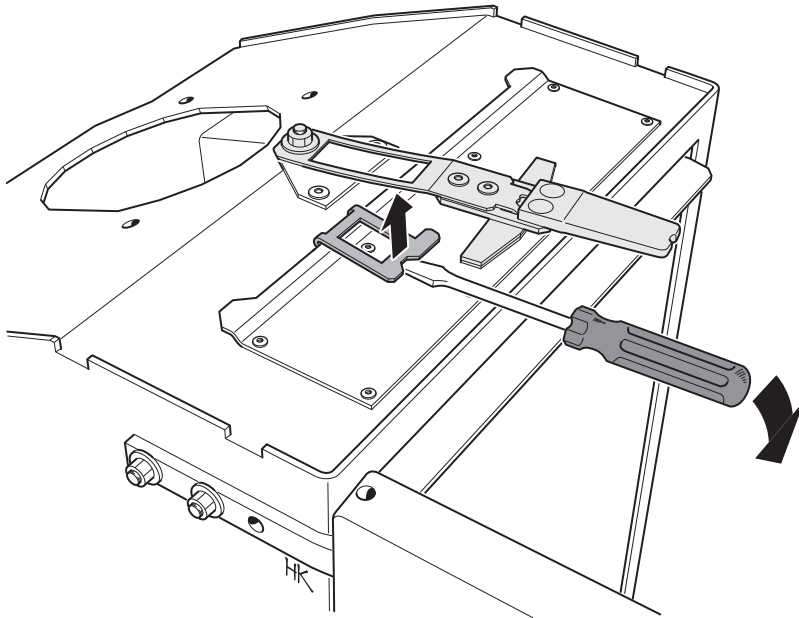


6

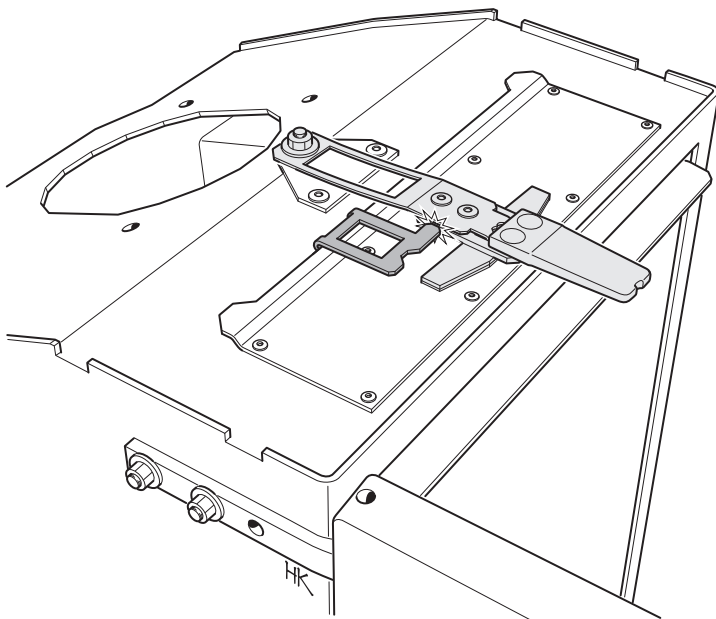


Smoke control area

In smoke control areas it is mandatory to stop the damper from closing completely. In other areas it's optional.



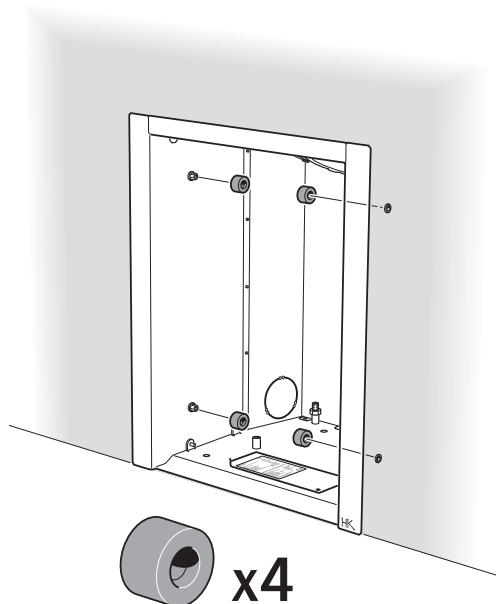
1



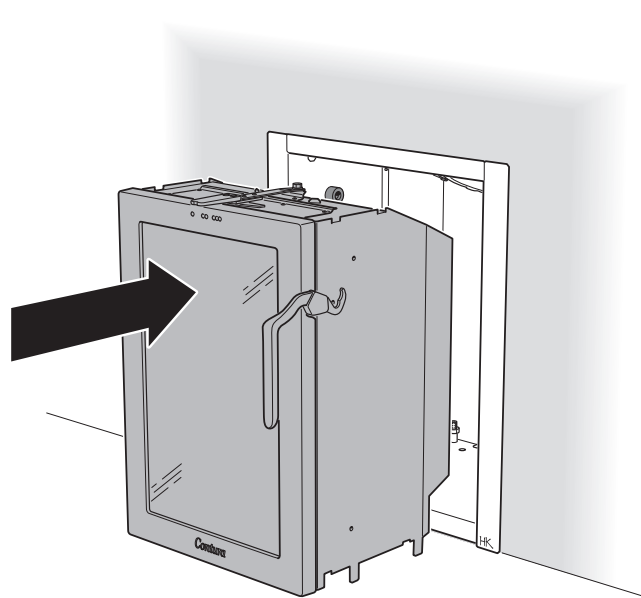
2

Installing stove body into the convection box

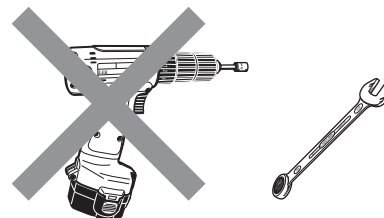
1



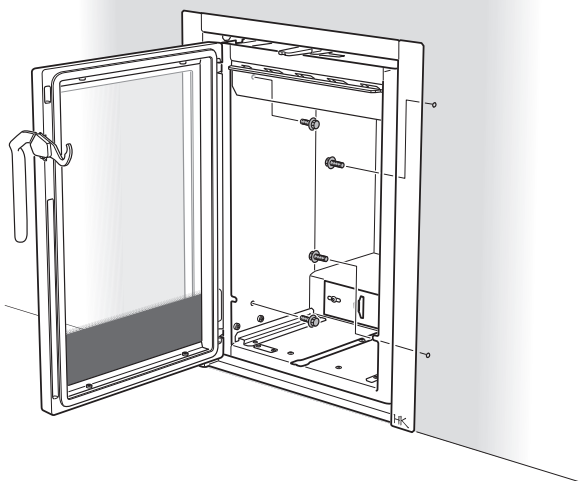
2



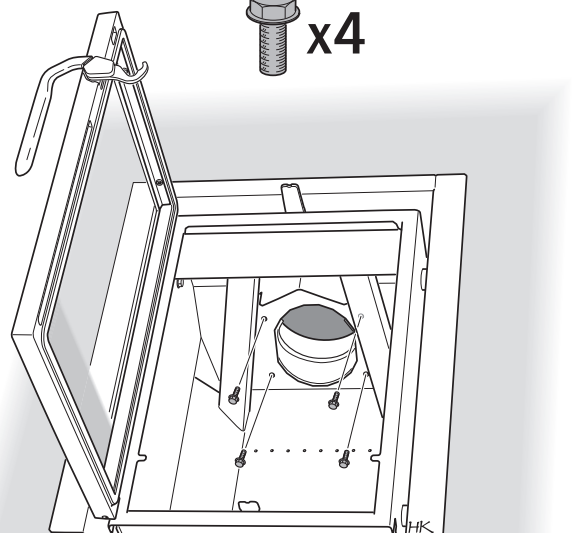
Classic - fasten the screws properly after the stovebody is fitted to the backpanel
Modern - fasten the screws only a few turns, they shall be fasten properly first when the cast iron frame are assembled and fitted, see side 116.



3

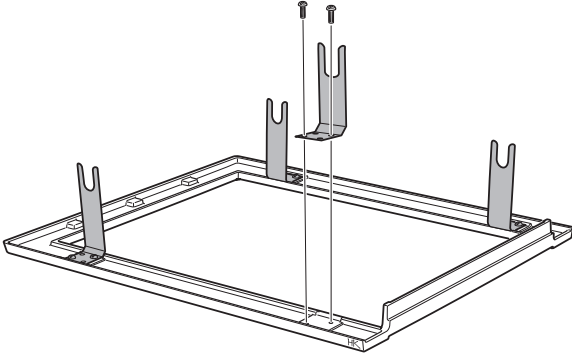


4

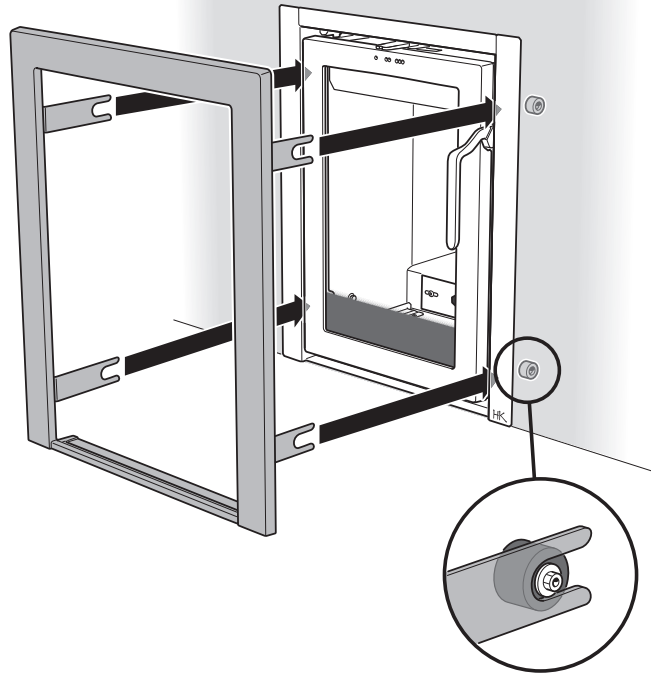


Modern frame

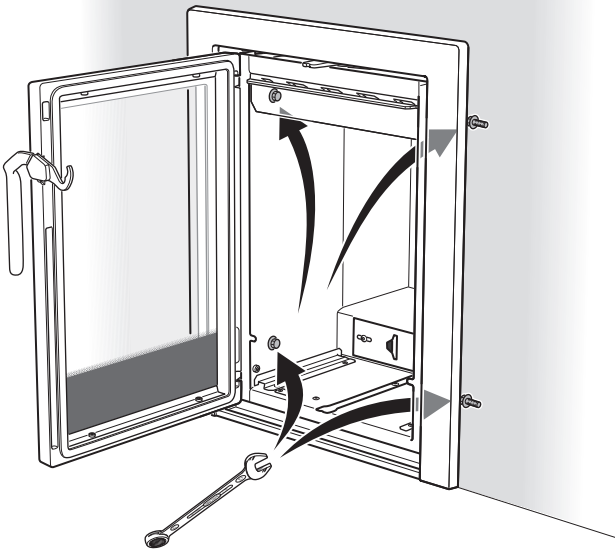
1



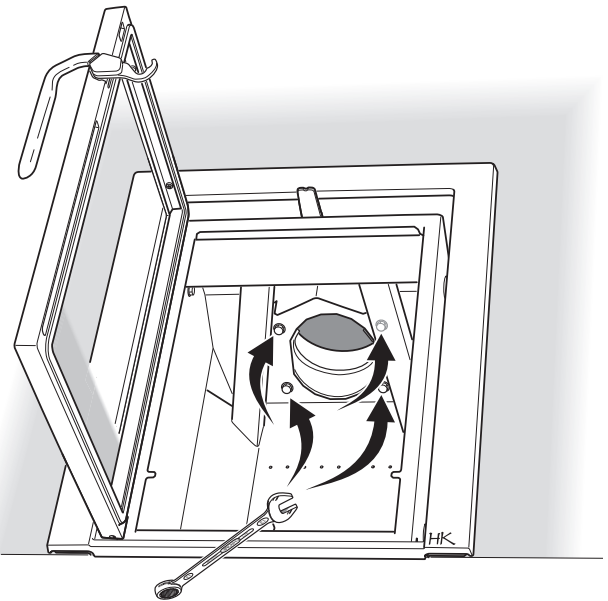
2



3



4

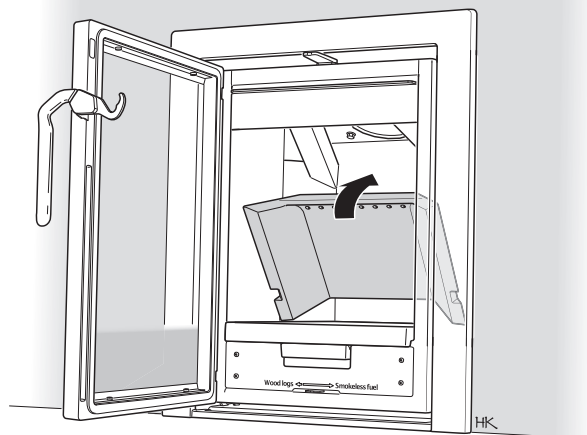


Make sure that the stovebody and frame are parallel before fasten the screws

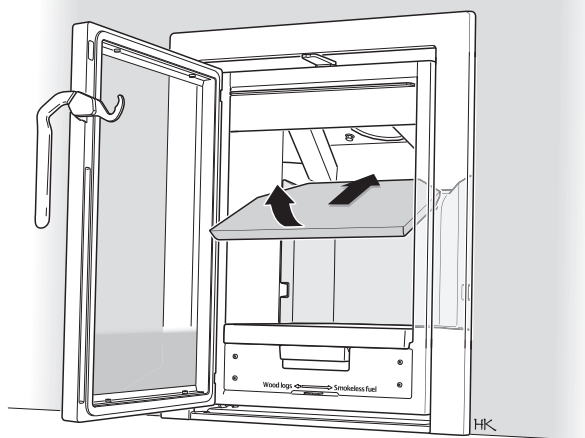
Installing fire box insulation panels

The Thermotte insulation panels are fragile, handle them with care and be careful when placing them into the stovebody.

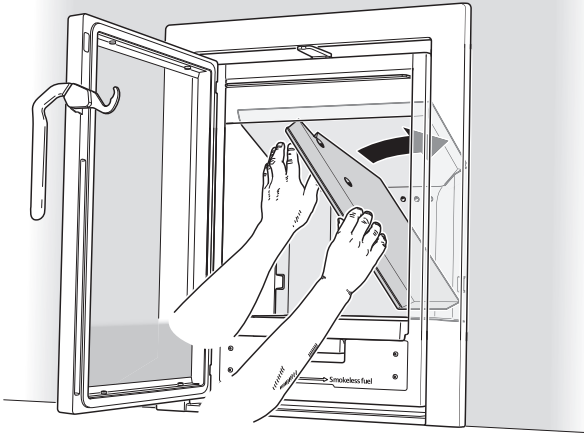
1



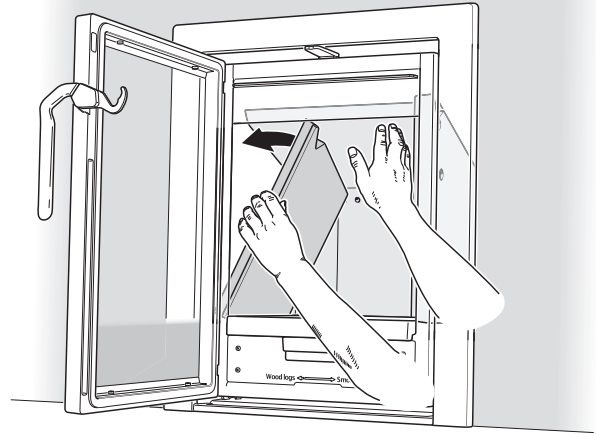
2



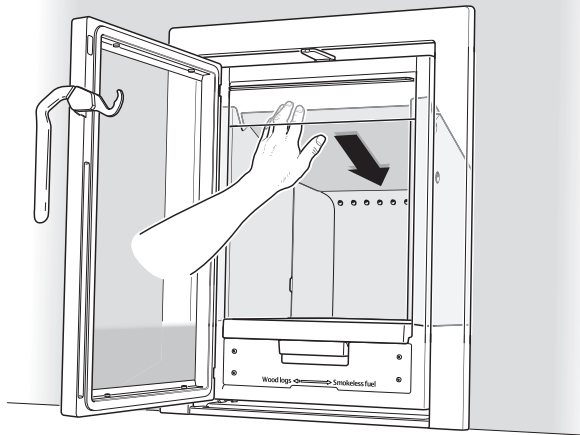
3



4



5



Final inspection of the installation

It is very important that the installation is inspected by an authorised chimney sweep before the stove is used. Also read the "Operating instructions", before lighting for the first time.

811163 IAV Ci4 SE_EX-10
2023-11-20

Contura

NIBE AB · Box 134 · 285 23 Markaryd · Sweden
contura.eu

Contura reserves the right to change dimensions and procedures described in these instructions at any time without special notice. The current edition can be downloaded from www.contura.eu